



MDB
SERIES PUMP



Features & Advantages

- Commercial High-Performance Pump**
 5HP Powerful Output with a maximum flow rate of 62m³/h.
- Durable Construction**
 Made from 316 stainless steel and high-quality engineering plastic, suitable for seawater use and compatible with salt chlorinators.
- Large Inlet & Outlet**
 Features a 2.5" inlet and 2" outlet for improved water flow, enhanced lift, and balanced pressure.
- Quick-Connect Unions**
 Allows for easy and fast installation.



Warranty

Pump	2 years
O-ring and Mechanical Seal	1 year

Operating Limits

Model	
Maximum water temperature	50°C
Maximum Ambient Temperature	50°C
Noise at 1 meter	65 dB

Application

- Swimming pools
- Aquariums
- Water parks
- Aquaculture



Robust plastic body

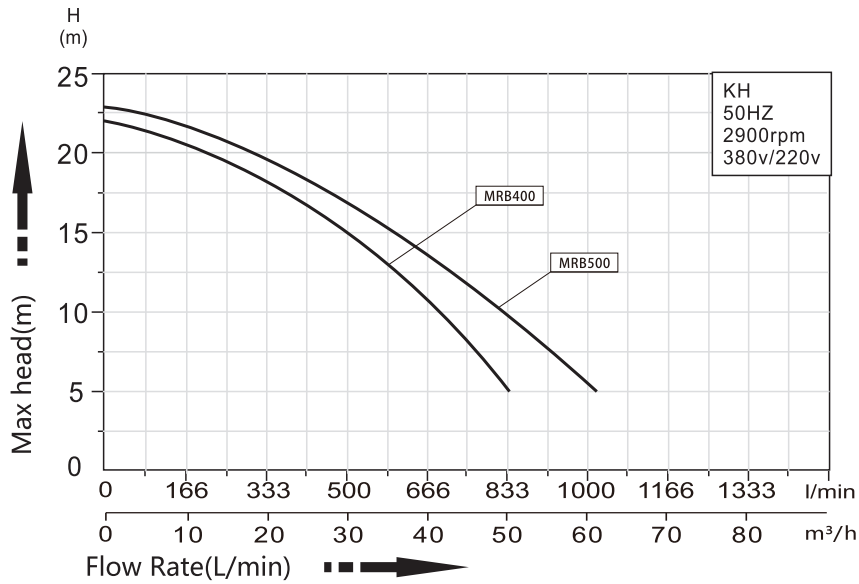


2.5" Inlet



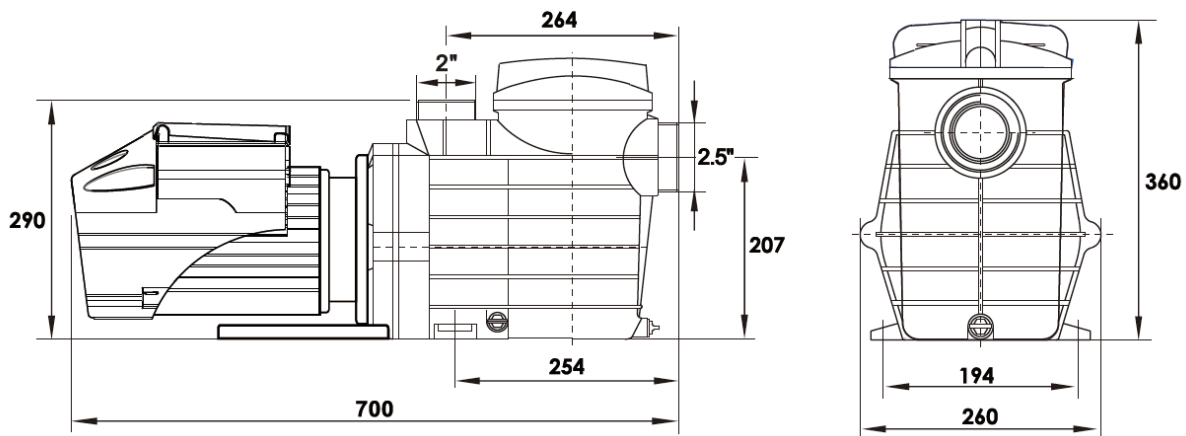
Commercial-grade motor

Technical Specification



MODEL	CODE	CONNECTIONS		VOLTAGE	PHASE	FREQUENCY	INPUT POWER	OUTPUT POWER	RPM
		INLET	OUTLET						
MDB400	96315	75mm	65mm	380 - 400	3	50	3	4	2850
MDB500	96316				3	50	4	5	
MDB400	96317				3	60	3	4	
MDB500	96318				3	60	4	5	

Dimensions (mm)





Printed in Australia
By BPA

Distributed internationally by Minder Water Industries Sdn. Bhd. All rights reserved 2018.
Distributed in Australia by Minder Water Industries Pty. Ltd.
Distributed in China by Minder Water Industries (Canton) Co. Ltd.
Distributed in South-East Asia by Minder Water Industries Sdn. Bhd.