



MAB SERIES PUMP



Features & Advantages



- POWERFUL AIR-COOLED MOTOR**
 Exceptional cooling performance, ideal for heating pools and hot climates.
- DEDICATED FOR HEATED POOLS**
 Max water and environmental temperature at 63C.
- POWERFUL AIR-COOLED MOTOR**
 Capable of continuous operation with outstanding durability.
- START STOP BUTTON**
 One-touch start stop button for enhanced safety and convenience. Easy backwash operation for manual MPVs.

Warranty

| | |
|----------------------------|---------|
| Pump | 2 years |
| O-ring and Mechanical Seal | 1 year |

MINDERSMAB™ PUMPS utilizing advanced Air-Cooling bearing technology, it is perfect for heated pools and hot climates, offering ultra-quiet operation, one-touch button, and exceptional durability.

Operating Limits

| Model | |
|-----------------------------|-------|
| Maximum water temperature | 50°C |
| Maximum Ambient Temperature | 50°C |
| Noise at 1 meter | 65 dB |

Application

- Domestic pools
- Small commercial pools
- Spa jet operation
- Solar pool heating
- Water features



Lid opener (Optional)
Code : 20559

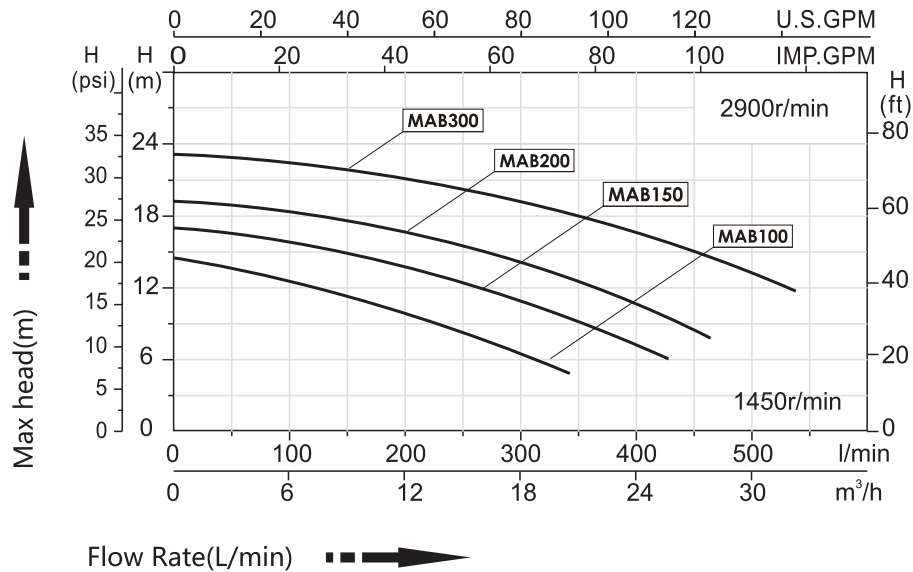


Outstanding cooling



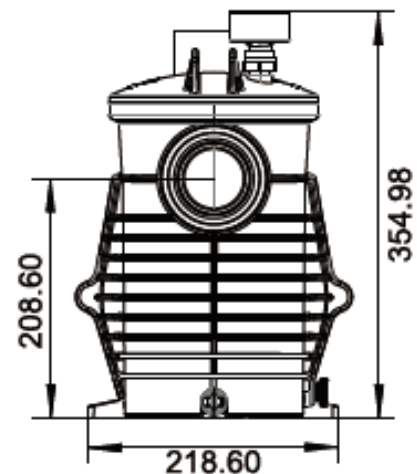
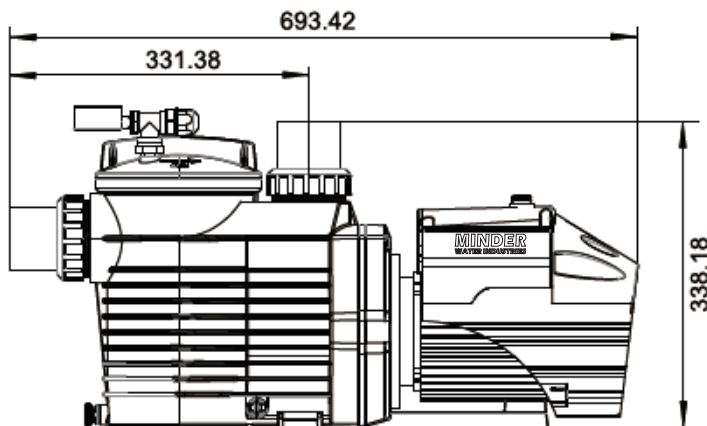
One button switch

Technical Specification



| MODEL | CODE | CONNECTIONS | | VOLTAGE | PHASE | FREQUENCY | AMP | INPUT POWER | OUTPUT POWER | RPM |
|--------|-------|-------------|--------|-----------|-------|-----------|------|-------------|--------------|------|
| | | IMPERIAL | METRIC | V | | Hz | A | kw | HP | |
| MAB100 | 96305 | | | 220 - 240 | 1 | 50 | 3.8 | 0.75 | 1 | 2850 |
| MAB150 | 96306 | | | 220 - 240 | 1 | | 5.2 | 1.1 | 1.5 | |
| MAB200 | 96307 | | | 220 - 240 | 1 | | 7.0 | 1.5 | 2 | |
| MAB300 | 96308 | | | 220 - 240 | 1 | | 7.0 | 2.2 | 3 | |
| MAB300 | 96309 | 2.0" | 63mm | 380 - 400 | 3 | 60 | 10.0 | 2.2 | 3 | |
| MAB100 | 96310 | | | 220 - 240 | 1 | | 3.8 | 0.75 | 1 | |
| MAB150 | 96311 | | | 220 - 240 | 1 | 5.2 | 1.1 | 1.5 | | |
| MAB200 | 96312 | | | 220 - 240 | 1 | 7.0 | 1.5 | 2 | | |
| MAB300 | 96313 | | | 220 - 240 | 1 | 7.0 | 2.2 | 3 | | |
| MAB300 | 96314 | | | 380 - 400 | 3 | 10.0 | 2.2 | 3 | | |

Dimensions (mm)





Printed in Australia
By BPA

Distributed internationally by Minder Water Industries Sdn. Bhd. All rights reserved 2018.
Distributed in Australia by Minder Water Industries Pty. Ltd.
Distributed in China by Minder Water Industries (Canton) Co. Ltd.
Distributed in South-East Asia by Minder Water Industries Sdn. Bhd.